

- // Modular necking system with unlimited design flexibility and product diversification
- // High volume output with an unbeatable efficiency
- // Saving energy and resources with sustainable solutions
- // Growing your production following the market demand
- // Inline or offline operations possible in existing or new lines
- // Experience and many references in the market

The BottleCanMaker

wifag//polytype group



Mall + Herlan GmbH
 Wöschbacher Strasse 33
 DE-76327 Pfinztal

Phone +49 721 946 010
 Fax +49 721 946 01 99

info@mall-herlan.com
 www.wifag-polytype.com

mall//herlan is one of the world's leading producers of machines and complete production lines for mono-block metal packaging such as aerosol cans, bottles and tubes made from aluminium or steel.

mall//herlan is known for producing the highest quality products in conjunction with providing the highest quality of services for its customers. Each single employee is motivated to continuously improve the products and services offered by mall//herlan. This not only means that top-class industrial production lines are produced, but also new trends are constantly being set through continuous further development.

As a reliable partner and innovative trendsetter, mall//herlan is only interested to make our customers the most successful players in the industry. The company is more than happy to go that extra mile in order to ensure that their customers enjoy this success.

The mall//herlan BottleCanMaker is a modular system for the production of aluminium bottles. It allows to produce:

- // A large variety of bottle applications
- // Diameters up to 66 mm
- // Several closure options like ROPP, Crown, Maxi-P
- // Including full body shaping
- // Inline or offline production

The BottleCanMaker can:

- // be integrated into production lines on a step-by-step basis
- // be expanded for larger and faster production to follow the market demand
- // flexibly produce all complex bottle designs

Mall Herlan MB GmbH
 Neuhausen ob Eck/Germany

Mall + Herlan Italia S.r.l.
 Presezzo (BG)/Italy

PRÄZISA
 Bernd Cremer GmbH & Co. KG
 Straubenhardt/Germany

The world's most modular backend system for the production of aluminium bottles

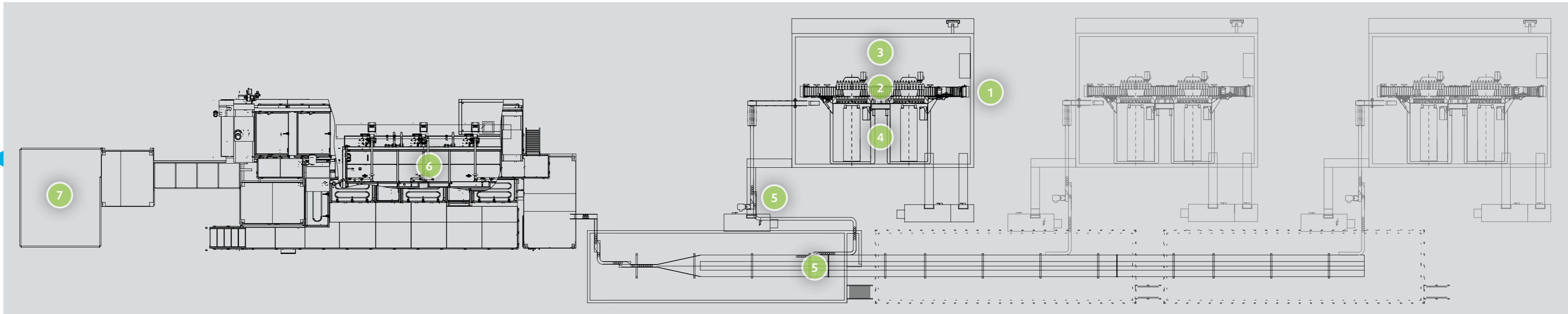


Pure performance – flexible in shape and size

For many decades now, countless customers have been putting their trust in mall//herlan's high competence of the whole process, proven engineering designs, modular necking system on demand, DWI bottle making and the manufacturing of highly precise necking tools.

- // Strong, stable, adaptable and reliable bottle making process
- // Huge necking and shaping varieties create unique shapes and designs
- // In-house container development with engineering and production of any tools required for your innovative bottles
- // Easy access for quick size changes and maintenance
- // Perfect beverage bottles: shaped, necked, washed and checked

Output:
Bottles of various shapes and designs



Infeed:
Coated and decorated cylinders in aluminium



C2C line
1000-3500 bpm



7 Leak detector

Detects microholes to ensure the bottle integrity: The lacquer is removed by compressed air. The photocell detects when rays of light fall into the cans. 100% quality-control.



6 Post washer + dryer

Multiple chambers for washing and rinsing the bottles with water. The cleaning can be done with or without detergents. The patented nozzle injection system ensures optimum cleaning. The postwasher is eco-friendly and of food-grade standard.



5 Transfer units

The finished bottles are transferred from the gripper to the outfeed conveyor of the necker. The zipper is able to manage the output of multiple neckers into the postwasher.



4 Necker

The cylindrical can body is necked and shaped by necking dies up to the final can design. Several forming processes are possible: Threading, curling, beading, registered em- and debossing to contribute matching the brand owner's design. There is also the possibility of implementing quality control systems on the necker. Easily adaptable necker configuration depending on your output requirement and the complexity of the bottle can shape. Parallel processes reduce the risk in production.



3 Tooling

Many different tools such as necking, shaping, curling, threading, embossing, debossing, are necessary for an innovative bottle. Get any bottle shapes and designs you desire.



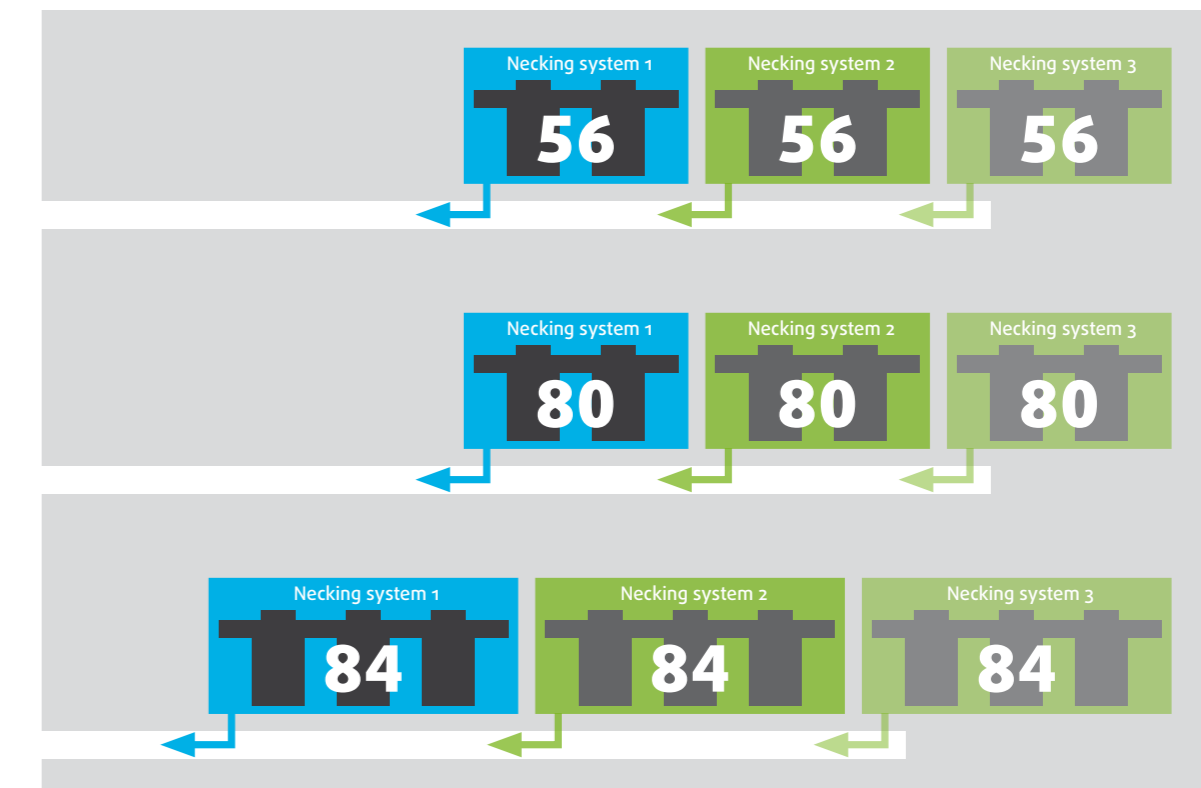
2 Gripper

The gripper holds the cylinder firmly and tight during the forming process and ensures that container and tools are always in the perfect position. Orientation of the cylinder with asymmetric shaping as well as embossing is possible.



1 Cylinder infeed system

Cylinder take over on the infeed drum system feeding the necker.



Preforming Process

From a conventional DWI beverage can line, coated and printed cylinders made of aluminium are fed into the BottleCanMaker, either inline or offline.